

## 3000 CFM Room Air Filtration Unit

Kevin S. Brady

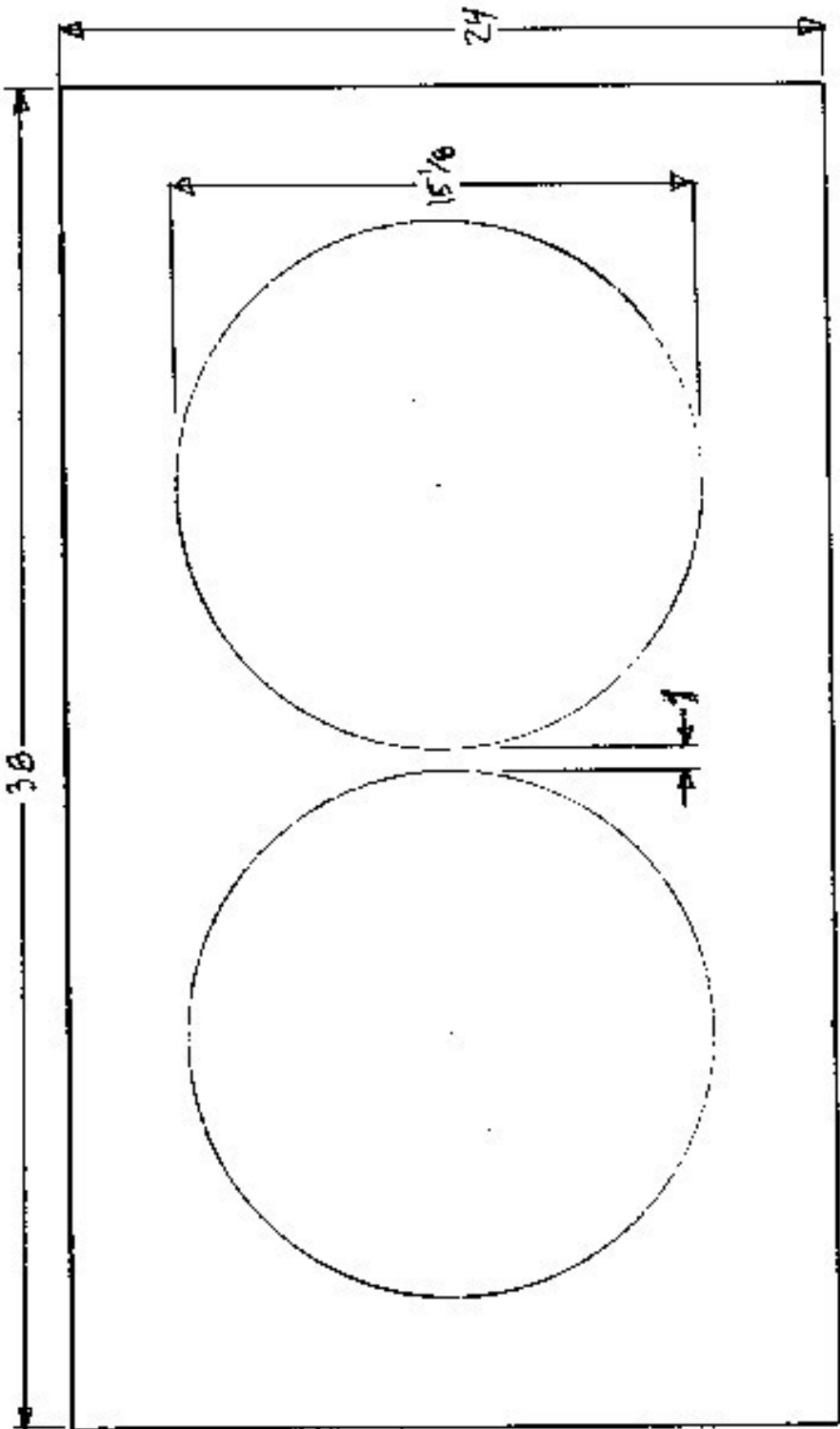
Below are the sketches I made for the air filtration unit I built in August 2005. They're rather crude, but hopefully they will provide some guidance. For a detailed description of the assembly process with photos, see my accompanying article at:

<http://www.kevinsbrady.net/DustCollection.html>

Good luck!



Kevin S. Brady

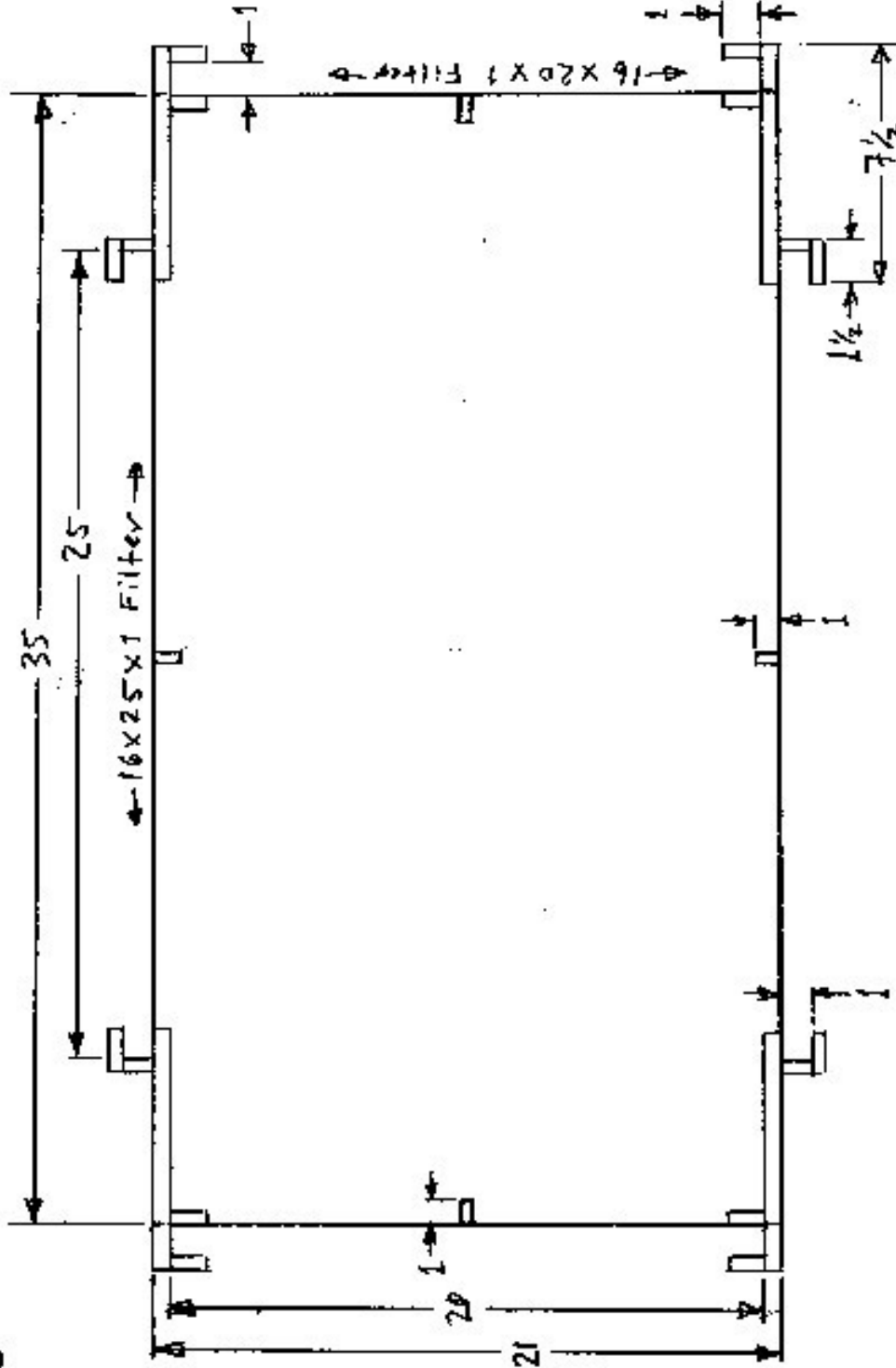


1

Top

Kevin S. Brady

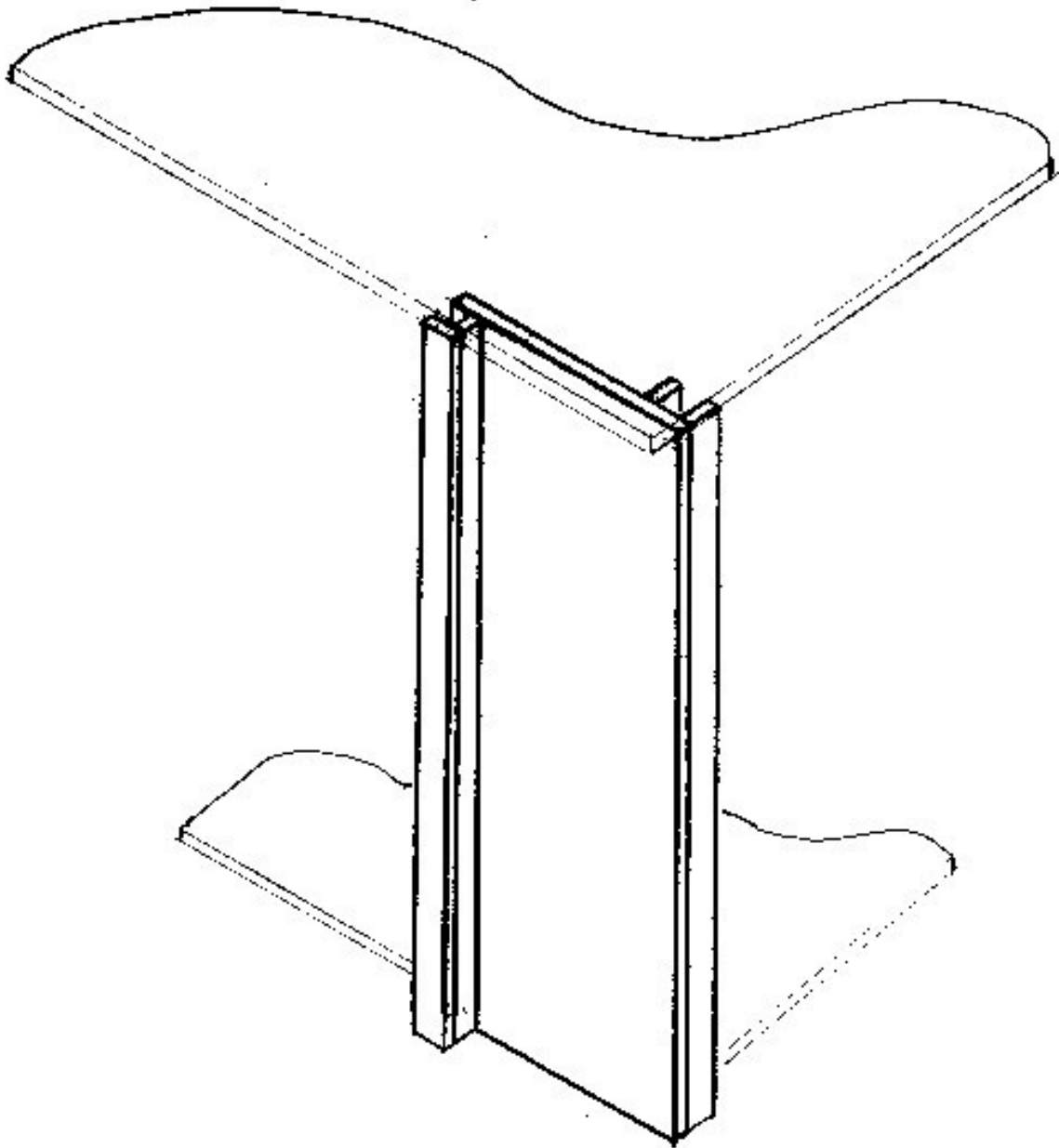
All materials 1/2" plywood  
unless otherwise noted.



Bottom Panel w/ Corner Columns  
(Top View)

2

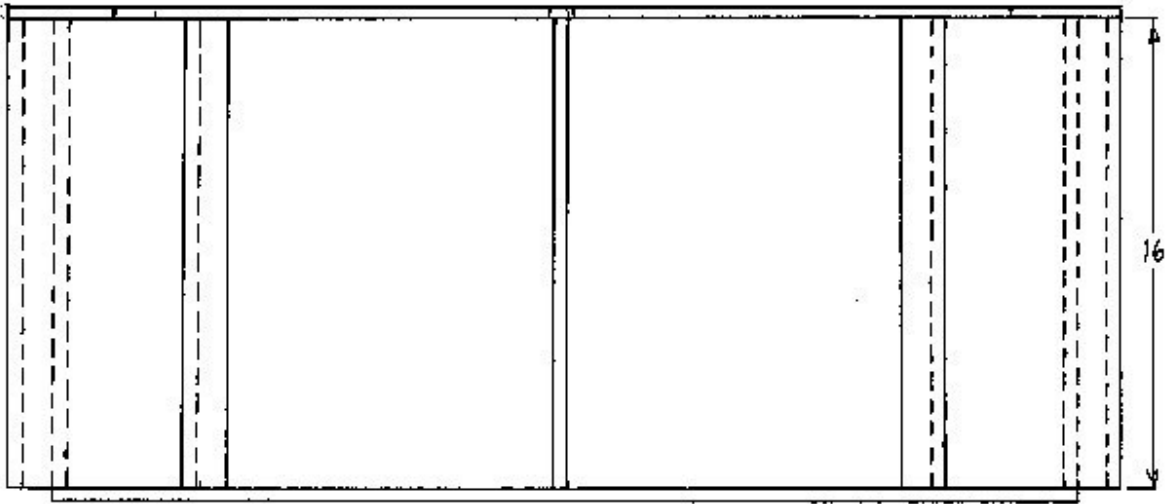
Kevin S. Brady



3

Corner Column

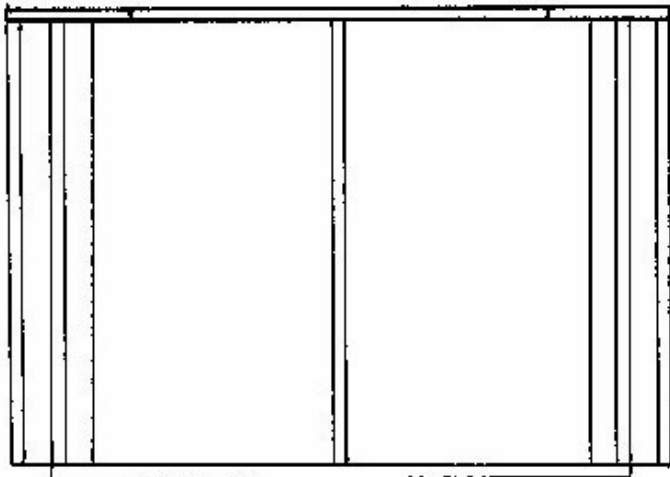
4



Kevin S. Brady

Side View

Kevin S. Brady



5

Front/Rear