

SHOP-BUILT RIP SLED FOR RESAWING LOGS ON THE BANDSAW

Kevin S. Brady

Below are scans of a few sketches for this project. For a more detailed description of the assembly process with photos, see my accompanying article at:

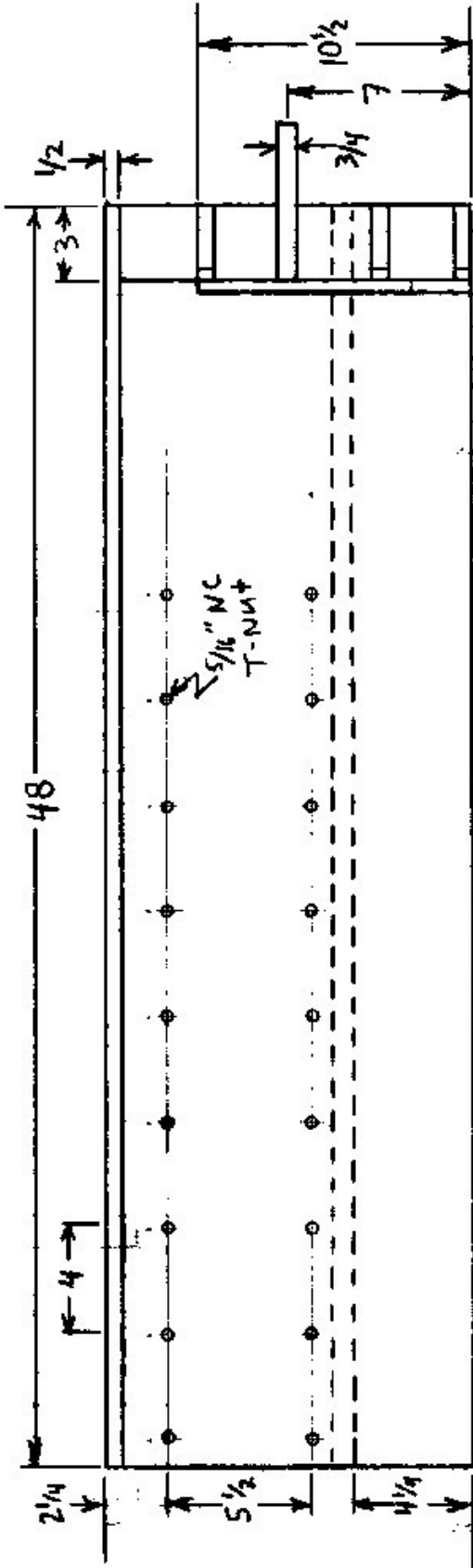
<http://www.kevinsbrady.net/LogSled.html>

Good luck!

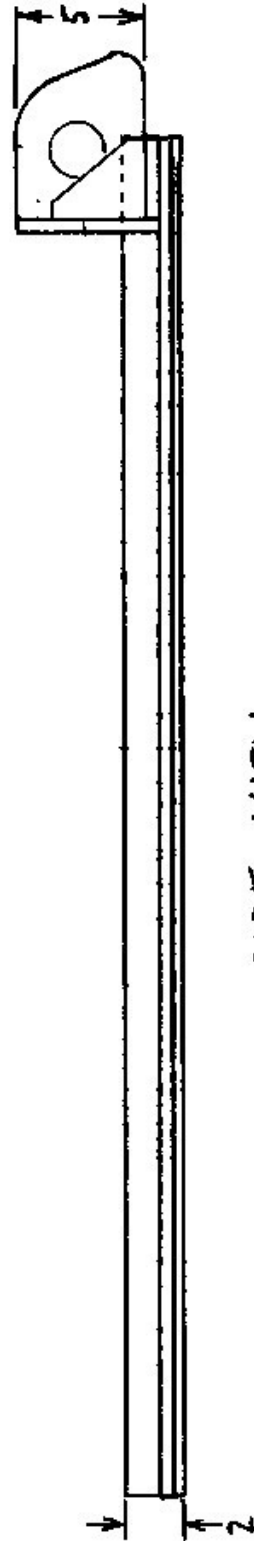


BANDSAW LOG SLED

Kevin S. Brady

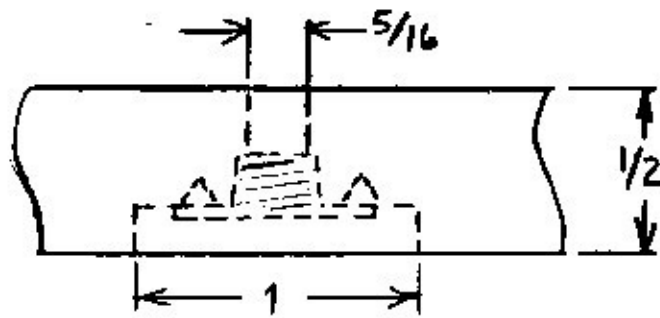
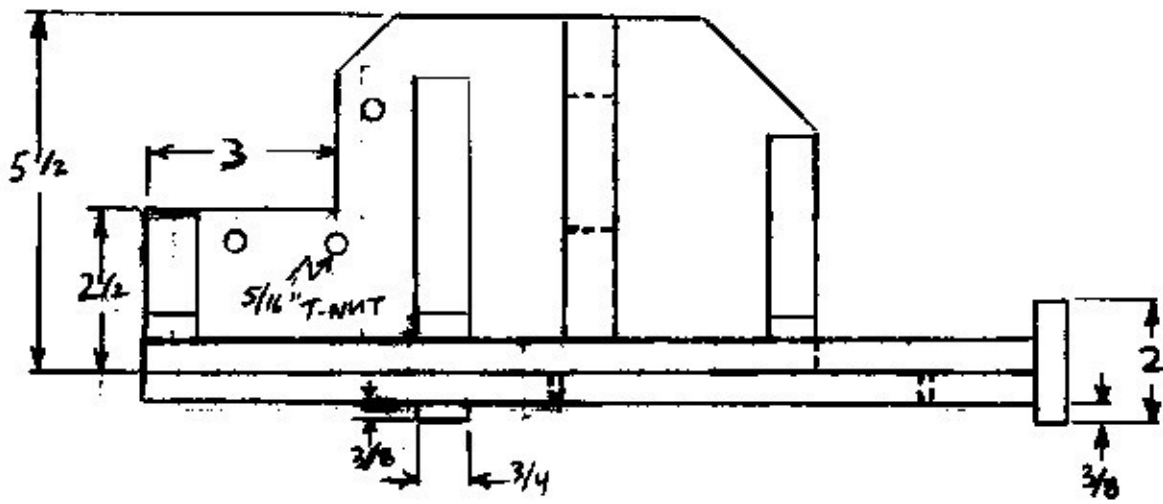


TOP VIEW



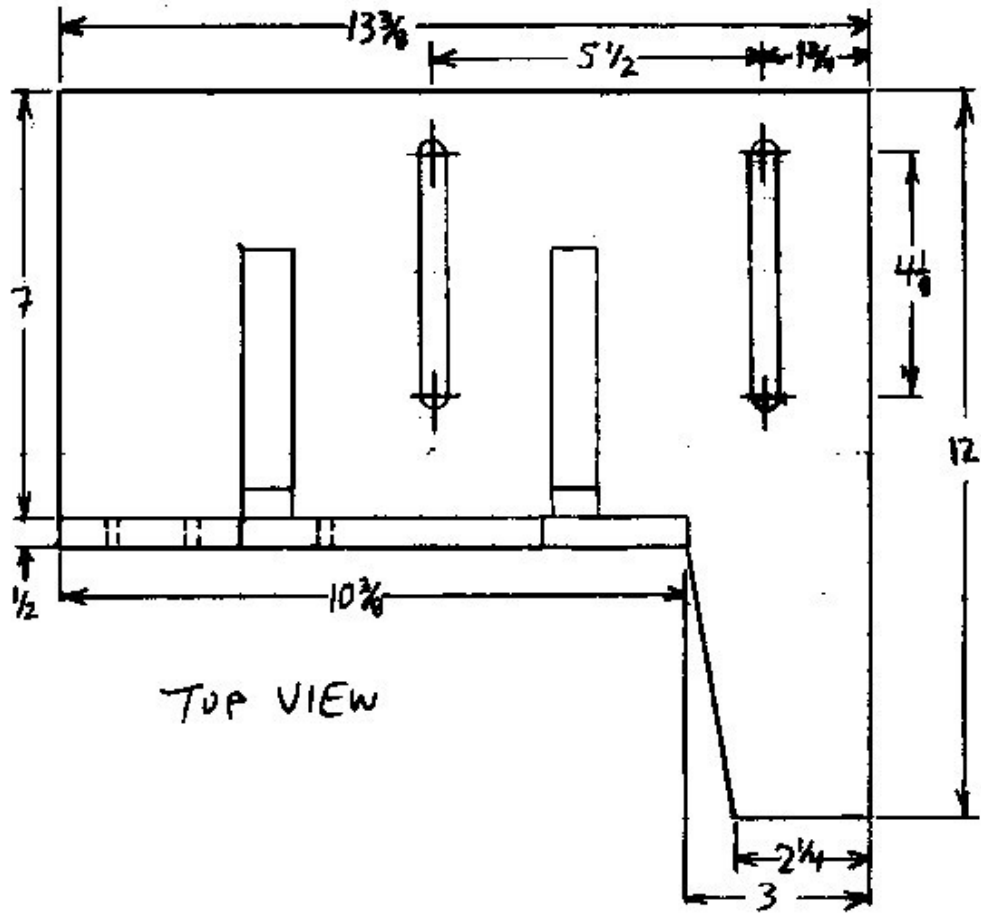
SIDE VIEW

BAND SAW LOG SLED

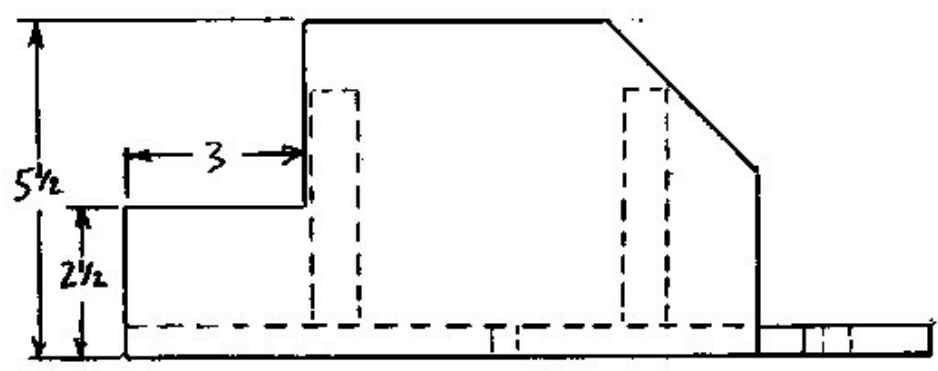


T-NUT INSTALLATION
CROSS-SECTION

BAND SAW LOG SLED
HEADPIECE



TOP VIEW



FRONT VIEW